

DH3/2010A
Very High Frequency
Transducer



Step Up To
Electro-Voice®

Key Features:

- Pure titanium dome provides extended high frequency response
- 32mm pure aluminum voice coil
- Unique convex-drive phase plug
- 1-3/8" screw on connection



General Description:

The Electro-Voice DH3/2010A is a high-performance compression driver optimized for use as the super-tweeter component in professional sound reinforcement systems. Precise engineering, along with careful selection of materials and advanced driver architecture, has resulted in a driver that is ideally suited for the most demanding presentation of high quality music and communications program.

Incorporating Electro-Voice's exclusive Ring Mode Decoupling (RMD™) through all design phases has produced drivers with unmatched accuracy while minimizing any acoustic resonance, or time domain ringing throughout the driver structure.

Exceptional high-frequency performance is realized through a design which includes a specially formed lightweight titanium diaphragm and low-mass voice coil, a unique convex-drive phase plug and optimum magnetic motor design, leading to compact but sensible size and weight.

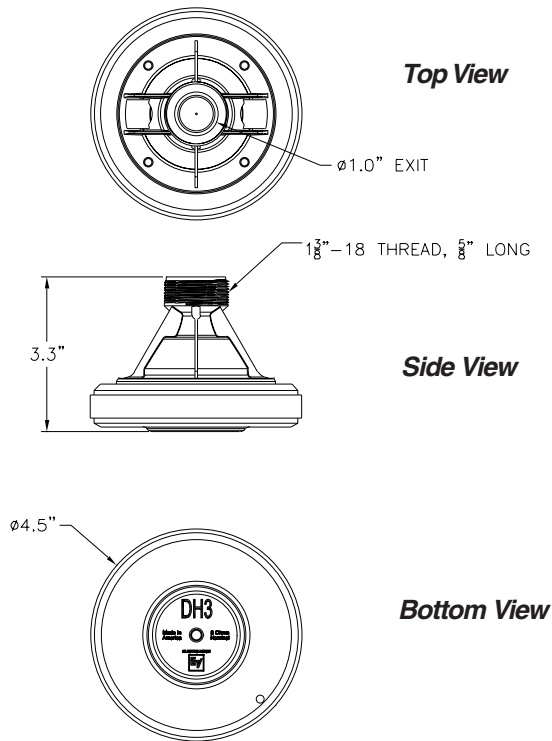
Electro-Voice's commitment to precision compression driver manufacturing and modern design techniques assure the DH3/2010A user the highest level of audio and engineering excellence.

Technical Specifications:

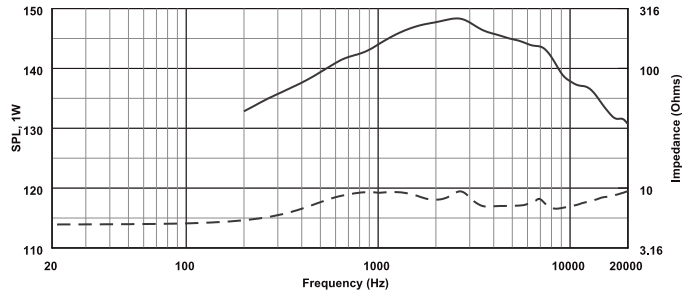
Nominal Impedance:	8 ohms
Minimum Impedance:	7 ohms @ 10 kHz
DC Resistance	5.0 ohms
Frequency Response:	2000-20,000 Hz
Power Capacity ¹ :	20 Watts, 40 Watts Cont. Prog.
Recommended Crossover:	2000 Hz or Higher
Nominal Efficiency:	25%
Sound Pressure Level ² : (1 Watt @ 1 Meter)	113 dB, HP42 Horn 112 dB, HP64 Horn 111 dB, HP94 Horn
Throat Diameter:	1" (25mm)
Voice Coil Diameter:	1.25" (32 mm)
Voice Coil Wire:	Pure Aluminum Wire
Diaphragm Construction:	0.03 mm Pure Titanium Dome and Surround
Electrical Connection:	0.25" Fast-on Connectors
Polarity:	Positive Voltage to Positive Terminal Produces a Positive Acoustic Pressure
Flux Density:	1.6 Tesla
Net Weight (each):	3.4 lbs (1.5 kg)
Shipping Weight:	4.2 lbs (1.9 kg)

¹ Power capacity per AES standard. Continuous pink noise, 2000 - 20,000 Hz with a 6 dB crest factor, 2 hours.
² Sound Pressure measured on axis in the far field with 1 Watt input of band-limited pink noise from 1500 - 5000 Hz and calculated to 1 Meter equivalent by inverse square law.

Dimension Drawings:

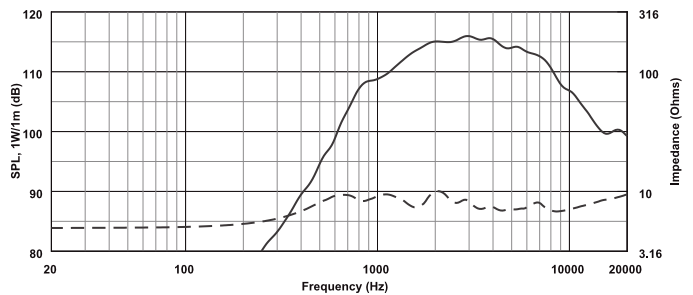


Frequency Response (On a Tube):



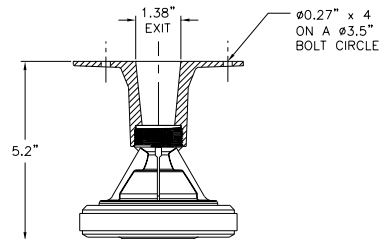
Note: Frequency response and impedance of the DH3/2010A driver attached to a 25mm (1.0") diameter plane wave tube, using one watt input (2.8 Vrms).

Frequency Response (On an HP64M Horn):

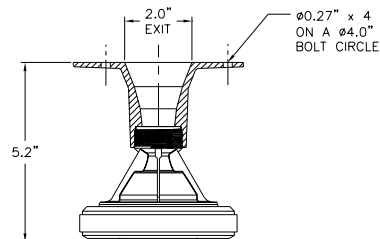


Note: Frequency response and impedance of the DH3/2010A driver attached to an HP64M Horn, measured on axis in the far field using one watt input (2.8 Vrms). SPL calculated to 1 meter equivalent by inverse square law.

Dimension Drawings (Cont'):



**Side View
(Shown with
Optional ADH-3
Adapter)**



**Side View
(Shown with
Optional ADH-5
Adapter)**

Accessories:

- ADH-3 Adapter (For 1.38" Exit) 588-587
(must be purchased separately)
- ADH-5 Adapter (For 2.0" Exit) 588-2855
(must be purchased separately)

**DH3 Part Number: 833-PA-990
2010A Part Number: 833-1016**



12000 Portland Avenue South, Burnsville, MN 55337

Phone: 952/884-4051, Fax: 952/884-0043

www.electrovoice.com

© Telex Communications, Inc. 6/2002

Part Number 38110-122 Rev. C

U.S.A. and Canada only. For customer orders, contact Customer Service at:

800/392-3497 Fax: 800/955-6831

Europe, Africa, and Middle East only. For customer orders, contact Customer Service at:

+ 49 9421-706 0 Fax: + 49 9421-706 265

Other International locations. For customer orders, contact Customer Service at:

+ 1 952 884-4051 Fax: + 1 952 887-9212

For warranty repair or service information, contact the Service Repair department at:

800/685-2606

For technical assistance, contact Technical Support at: **866/78AUDIO**

Specifications subject to change without notice.